

Redefining Material Management with AI and 3D Technology



3DPro 2300 Radar Level Scanner

3DPro2300 radar level scanner integrated with technology of image processing, big data analysis, AI artificial intelligence, machine learning, 3D points cloud conversion and 3D modeling, cloud storage and computing



HOW DOES THE 3DPRO2300 WORKS?

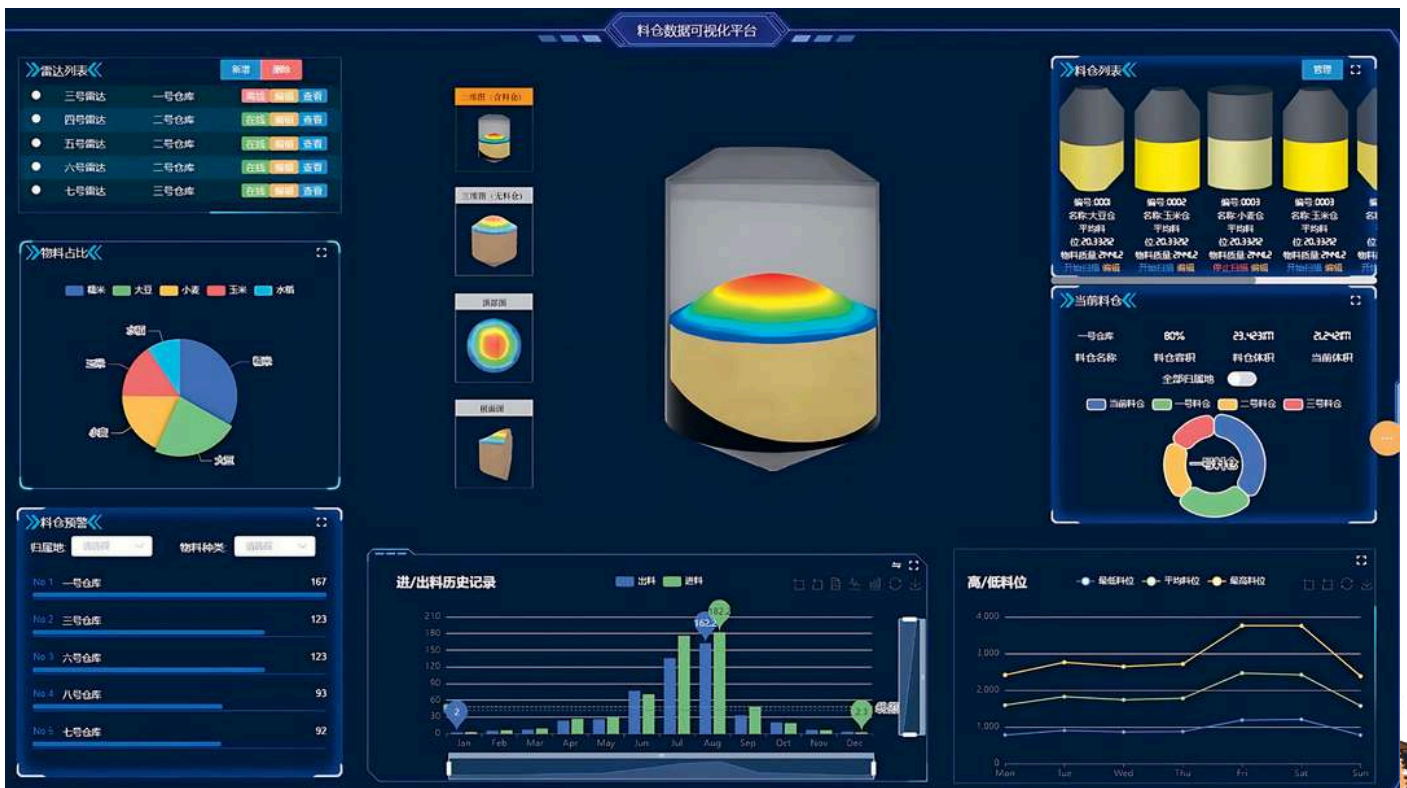


3DPro2300 radar level scanner adopts ultra high frequency 140GHz microwave technology.

Radar sensor equipped with motors rotate around 360° to scan the material and wall inside silos.

The measurement information is sent to the host through optical fiber/4G/5G.

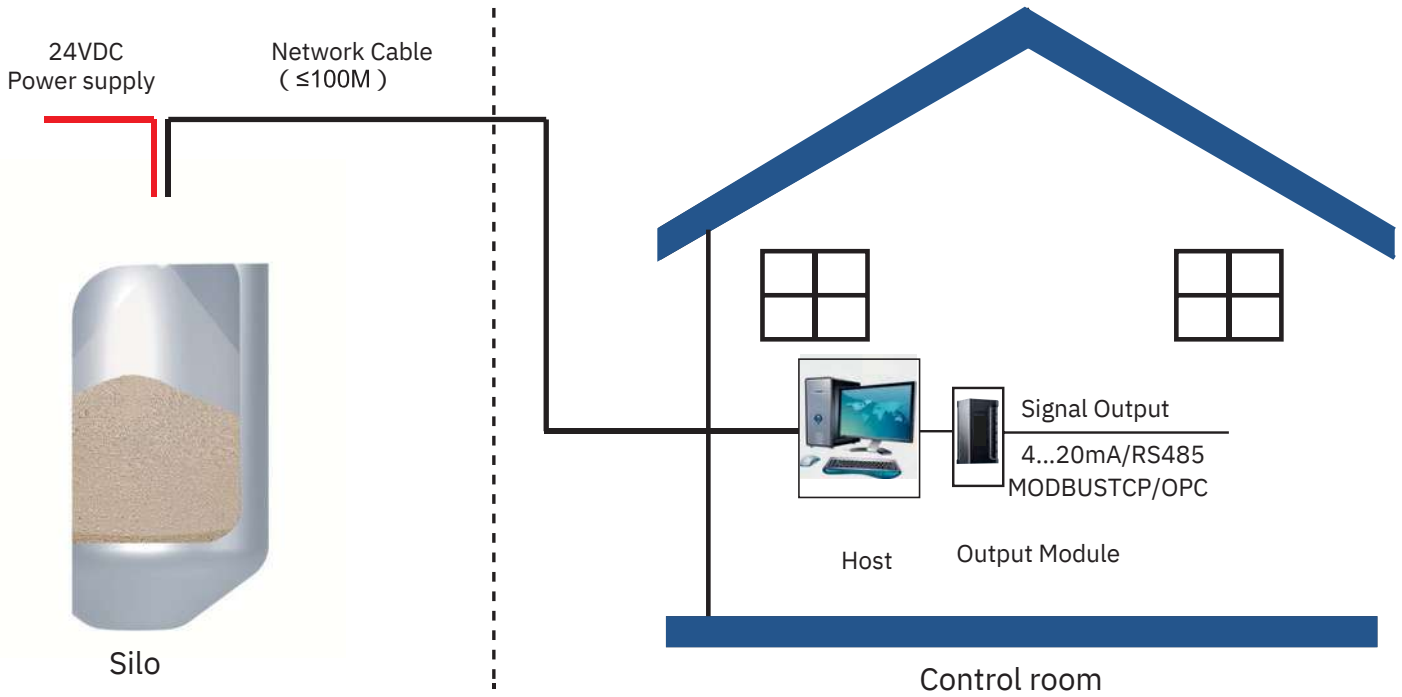
The host will analysis and calculate the data to obtain level and volume information and present visual three dimension image.



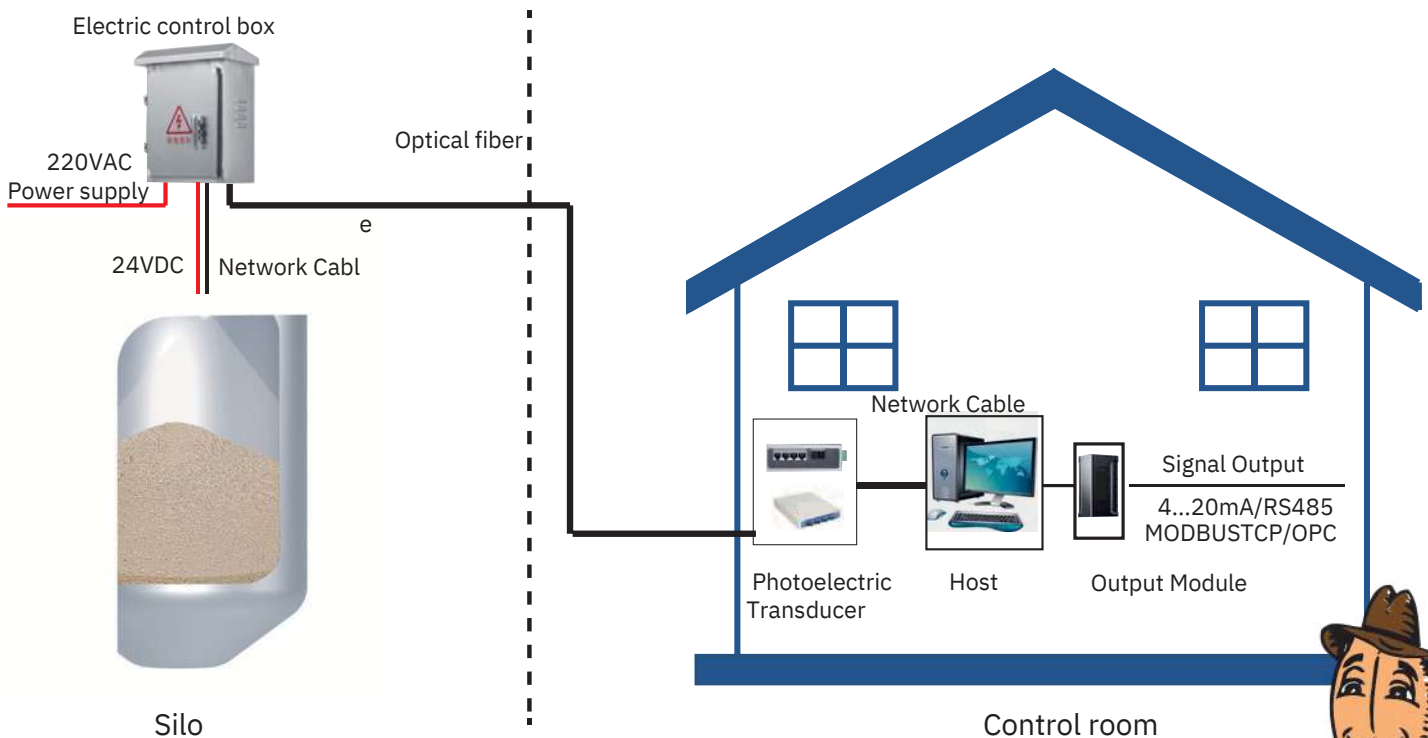
SYSTEM FRAMEWORK

Depending on the different situations on site, a suitable system framework is selected and the system block diagram form is listed as follows:

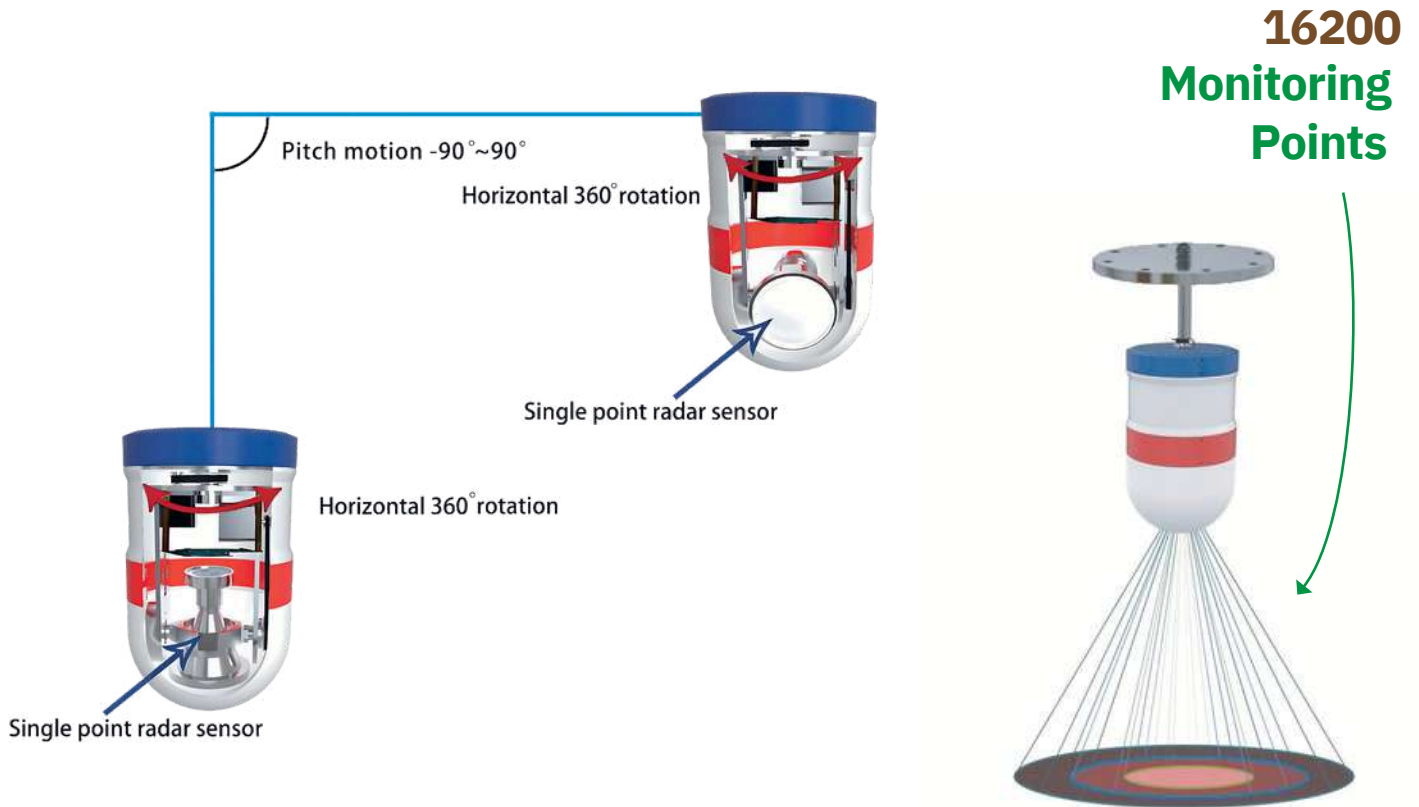
System Framework of Power Supply 24VDC



System Framework of Power Supply 220VAC



WHY 3DPRO 2300?



FEATURES

- 180°*360° all-round measurement without dead zone.
- Independent of dust, buildup and noise.
- With self-diagnosis functions, highly reliable and accurate result.
- Real time surface level, volume and mass values.
- Generates a 3D image of the material photograph.
- High resolution inspection points up to 16200.
- Alarm of buildup on sidewall to prevent structural clamps.
- User-friendly and powerful software system.
- Connectable to other control modules achieving interlock control.
- Wide range of applications.
- Simple installation.

APPLICATIONS

Ideal Measurement Solution for Many Industries and Materials

- Cement
- Mining
- Grains
- Port
- Metallurgy
- Coal
- Animal feed
- Pulp&wood

